

FORESTER

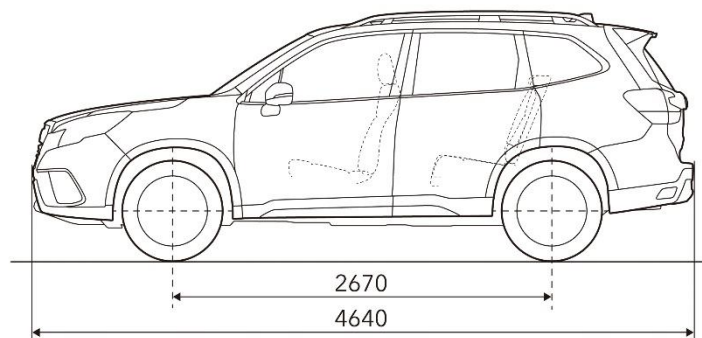
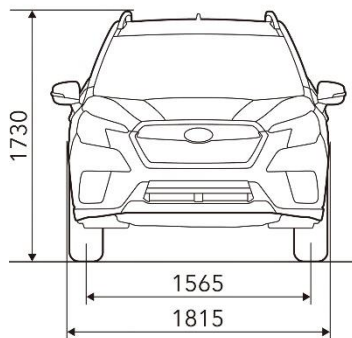
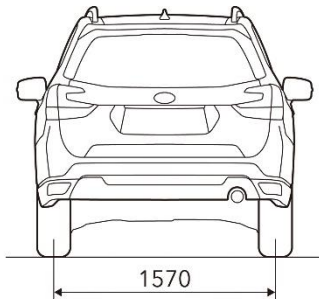


Engine

Type	Horizontally opposed, 4-cylinder, DOHC 16 –valve
Capacity (CC)	1995
Compression ratio	12.5
Fuel tank capacity(lit)	63
Max output (HP)	156/6000
Max torque	196/4000
Max speed(km/h)	193
Acceleration(0-100km/h)	10.3
Fuel consumption	Urban: 9.9 Extra-urban: 6.3 Combined: 7.6

Dimensions & Weight:

Overall length(mm)	4640
Overall width(mm)	1815
Overall height(mm)	1730
Wheelbase(mm)	2670
Minimum road clearance(mm)	220
Kerb weight	1539





Safety

Front SRS Airbags

Front Side SRS Airbags

Curtain SRS Airbags

Knee SRS Airbag (driver)

Steering Responsive Headlights (SRH)

Rear View Camera



Eyesight:

Pre-Collision Braking System

Lead Vehicle Alert

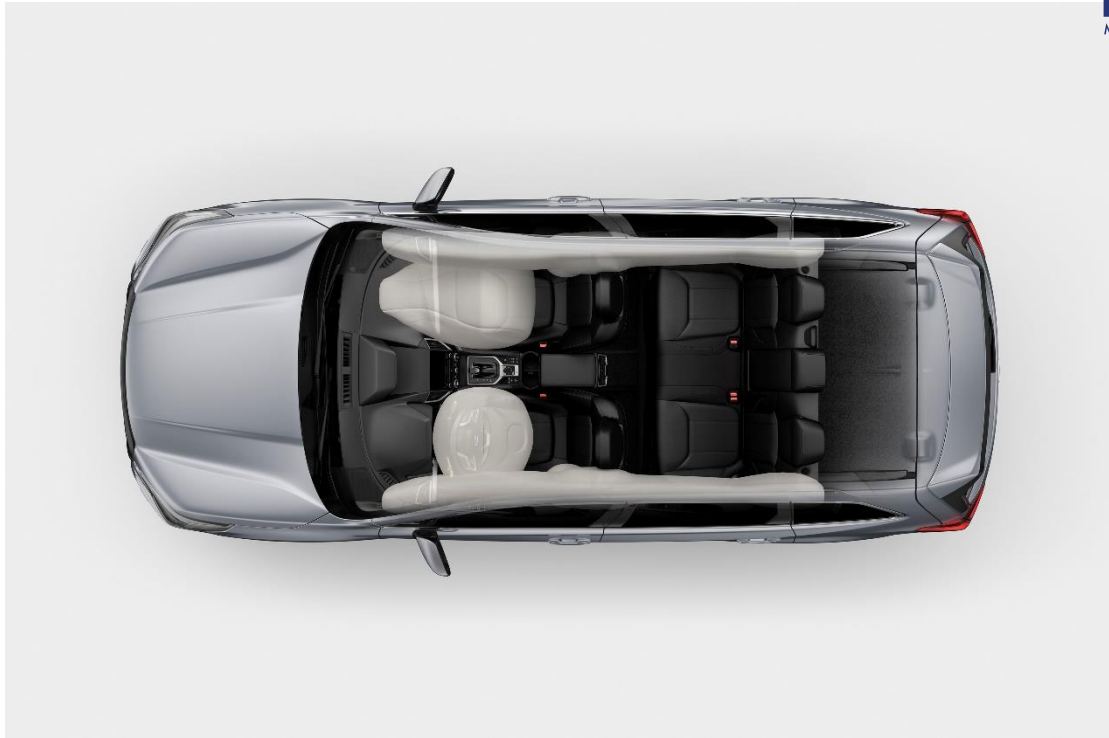
Adaptive Cruise Control

Lane Centering Control and Preceding Vehicle Adaptive Steering Control: This function helps suppress lane drifting by detecting lane markings (e.g., white lines) and the lead vehicle on expressways, freeways and interstate highways, and by assisting steering operation. Lane Centering Function will work only when the Adaptive Cruise Control is activated.

Video: <https://www.youtube.com/watch?v=hw8oSCxV16M&t=57s>

Lane Departure Prevention

Pre-Collision Throttle Management



Drivability

Si-Drive (Subaru intelligent Drive): is an advanced engine management system with driver-selectable modes tailored to suit different conditions and different moods. SI-DRIVE is the perfect solution for those who crave both sporty response and economic fuel consumption, taking vehicle performance to an all-new level.

X-MODE

Hill Descent Control

Auto Vehicle Hold

Hill Descent Control

Active Torque Vectoring

Electronic Parking Brake

Entertainment

8" Display Premium Audio System with 9 Harman/Karon Speakers

Bluetooth

Apple Car Play / Android

Steering Wheel-mounted Audio Remote Control Switches

Voice Recognition System

Dual USB Ports (Type A&C) – (In center panel)

Dual USB Ports (behind center console box)



Control/Instruments

Dual gauge Layout with 4.2" inch Full color LCD Display

6.3" Multifunction Display

Paddle Shifters

Cruise Control



Exterior

Auto On/off Headlamps

LED Headlamps with Auto-level.

Pop-up Type Headlamp Washers

LED Front & Rear Fog Lamps

Power-folding Door Mirrors

Privacy Glass

Automatic Rain Sensor

18' Aluminum-alloy Wheels (225/55R18)

Sunroof

Roof Rails

Roof Spoiler



Seating / Trime

Leather-wrapped Steering Wheel

Leather-wrapped Gearshift Knob

Leather Seats

8-way Power-adjustable Driver's Seat

Comfort

Keyless Access with Push-button Start System

PIN Code Access

Rear Seat Armrest with 2 Cup Holders

Cargo Light

Power Rear Gate



SUBARU

Confidence in Motion