

# Things to come, already arrived.

With a progressive exterior design that suits your lifestyle. The new, fully electric Audi Q8 Sportback e-tron and Audi Q8 e-tron.





# Charged for more than one adventure

With a range of up to 600 km (WLTP) for the Audi Q8 Sportback e-tron and up to 582 km (WLTP) for the Audi Q8 e-tron.









The right car  
for right now —  
with several  
charging options.













Space to evolve





**Hey future,  
we'll keep an  
eye on you**

Introducing virtual exterior mirrors











## Shine on – with digital Matrix LED headlights.

Improve your vision and your visibility  
at night.

# Exterior Colors

Q8 Sportback e-tron



Chronos Gray Metallic



Magnet Gray



Myth Black Metallic



Glacier White Metallic



Soneira Red Metallic



Madeira Brown Metallic



Daytona Gray Pearlescent



Plasma Blue Metallic



Ultra Blue Metallic



# Exterior Colors

Q8 e-tron



Daytona Gray Pearlescent



Chronos Gray Metallic



Plasma Blue Metallic



Myth Black Metallic



Ultra Blue Metallic



Soneira Red Metallic



Glacier White Metallic



Magnet Gray



Madeira Brown Metallic

## Q8 e-tron / Q8 Sportback e-tron

### Drivetrain / transmission

	Q8 Sportback e-tron	Q8 e-tron
Number of electric motors	front axle 1 / rear axle 1	front axle 1 / rear axle 1
Peak electrical output	300 kW	300 kW
Max. electrical torque output	664 Nm	664 Nm
Electrical torque output front / rear	309 Nm / 355Nm	309 Nm / 355Nm
Drive type	quattro All-wheel drive	quattro All-wheel drive
Transmission type	2-stage ratio planetary gearbox with a single gear	2-stage ratio planetary gearbox with a single gear

### Battery

Battery type	Lithium-Ion	Lithium-Ion
Gross / net battery capacity	114,0 / 106,0 kWh	114,0 / 106,0 kWh

### Performance / range

Top speed	200 km/h	200 km/h
Electrical acceleration boost, 0-100 km/h	5.6 s	5.6 s
Electrical range, combined according to WLTP	600 - 487 km	582 - 481 km
Electric power consumption, combined according to WLTP /100 km	24.1-19.9 kWh	24.4 - 20.6 kWh

### Charging equipment

Second charging access	•	•
On-board charger (AC)	Up to 22 kW	Up to 22 kW
Industrial plug CEE 32 A, long and straight, for the e-tron charging system	400 V	400 V
Mode 3 charging cable for public charging (AC)	22 kW	22 kW
Vehicle inlet CCS type 2	•	•
Vehicle charging cable	•	•
e-tron charging system "compact"	•	•
Mobile Charging at Home package compact	•	•
Wall bracket	•	•
Household plug type E/F for the e-tron charging system	•	•

## Exterior

---

S-line bumpers

---

Black Styling package

---

Black roof rails

---

Brake calipers painted in Red

---

Rear spoiler

---

Black exterior mirror housings

---

Exterior mirrors, power-adjustable, heated and power-folding, auto-dimming, with memory feature

---

Panoramic glass sunroof

---

Windshield with heat-reflecting glass and acoustic glass

---

Acoustic glass for door and side windows

---

Dark-tinted heat-reflecting glass

---

## Additional option

---

Virtual exterior mirrors

---

## Light

---

Singleframe projector lighting

---

Digital Matrix LED headlamps and LED rear combination lamps

---

Door entrance LED projector lights in front and rear

---

## Interior

---

Scuff plates with aluminum inserts in front and rear, illuminated, with "S" logo in front

---

Stationary air conditioning

---

4-zone climate control system

---

Auto-dimming interior rearview mirror, frameless

---

Pedals and foot rest in stainless steel

---

Valcona leather with embossed "S"

---

Sports seats Plus in front

---

Power front seats with memory feature for the driver seat

---

4-way lumbar support for the front seats

---

Headliner in Black fabric

---

Upper part of dashboard and lower interior elements in leatherette

---

Decorative inserts in Carbon Square structure

---

Glossy Black operating buttons with haptic feedback and aluminum Look interior

---

Sports contour leather-wrapped multi-function steering wheel, with shift paddles, 3-spoke, flat-bottomed

---

Ambient Lighting package plus

---

Storage and Luggage Compartment package

---

Cigarette lighter and ashtray

---



# Infotainment & Navigation

---

MMI Navigation plus with MMI touch response

---

Bang & Olufsen premium sound system with 3D sound

---

Smartphone interface

---

Audi phone box Light

---

Audi virtual cockpit plus

---

12-volt outlet

---

## Assistance

---

Cruise control system with speed limiter

---

Adaptive air suspension - sport

---

Parking aid Plus

---

360-degree cameras

---

Head-up display

---

Electric steering wheel adjustment

---

Luggage compartment lid, electrically opening and closing

---

Tire pressure monitoring system

---

Hill decent control

---

Side assist

---

Lane departure warning

---

Lane change assistant with exit warning system and rear cross traffic assist

---

Adaptive windshield wipers with integrated washer nozzles

---

Progressive steering

---

Power latching for the doors

---

Comfort key with SAFELOCK

---

## Safety

---

ISOFIX child seat anchors for front passenger seat

---

ISOFIX child seat anchors and top tether for the rear bench seat

---

Anti-theft alarm system

---

Anti-theft wheel bolts and loose wheel warning

---

Collapsible spare tire

---

Audi pre sense rear

---

Airbags in front, front passenger airbag can be deactivated

---

Side airbags in front and rear and curtain airbag system

---

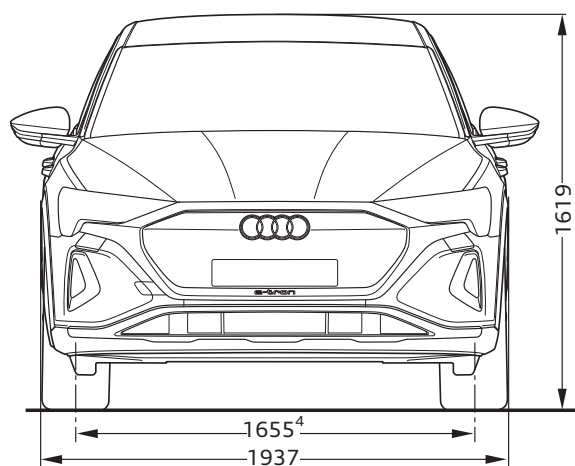
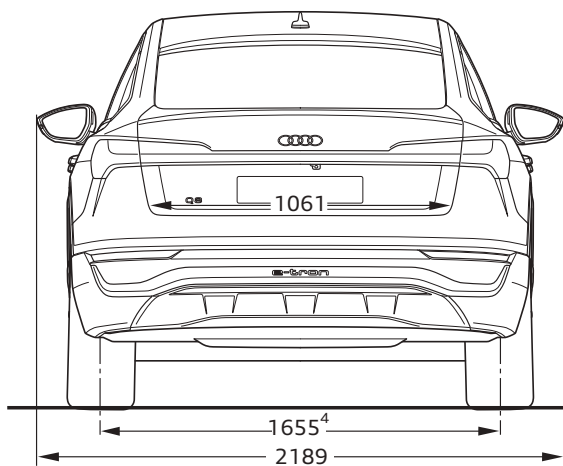
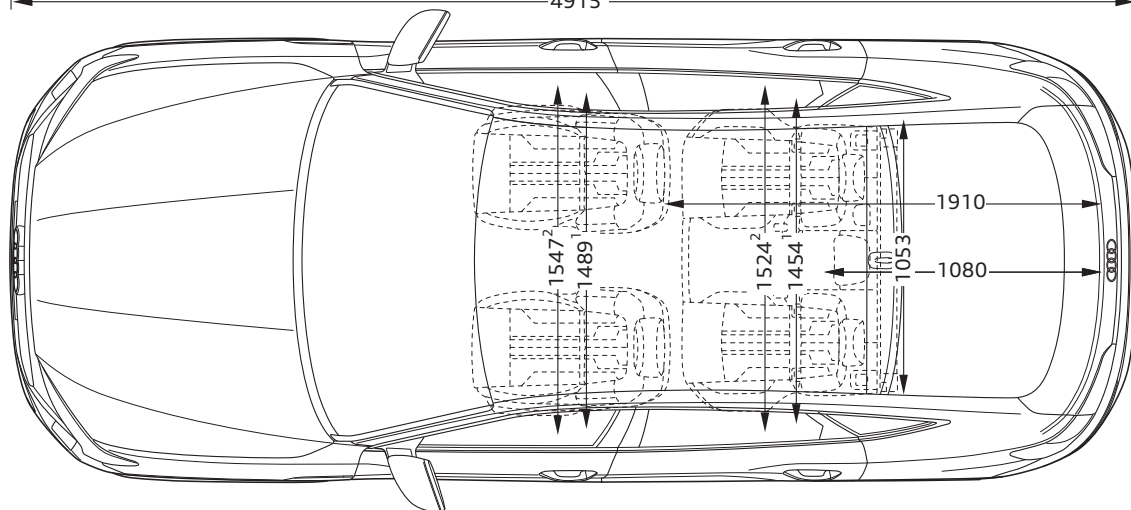
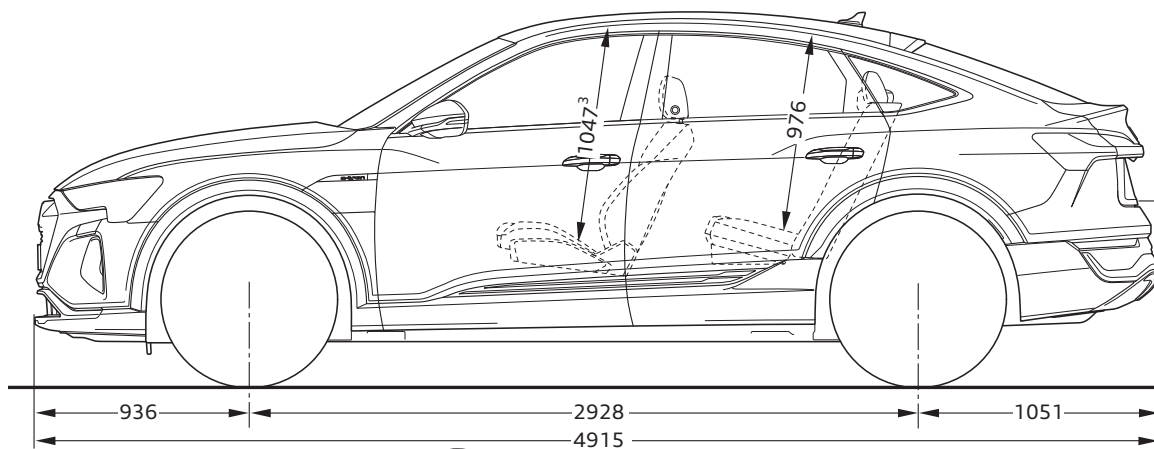
## Warranty

---

**150,000 km or 5 years whichever occurs first**

**160,000 km or 8 Years whichever occurs first on battery**

# Audi Q8 Sportback e-tron



<sup>1</sup> Shoulder width

<sup>2</sup> Elbow width

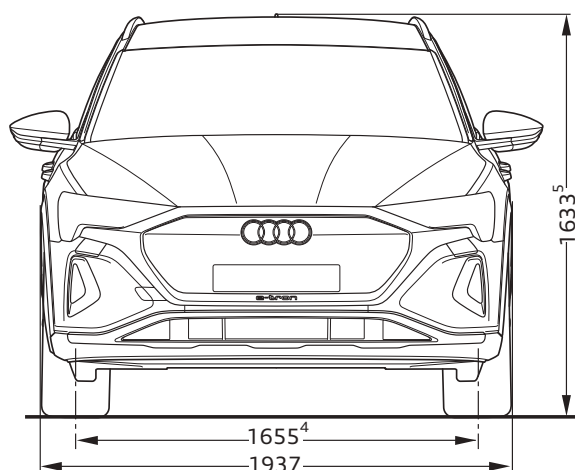
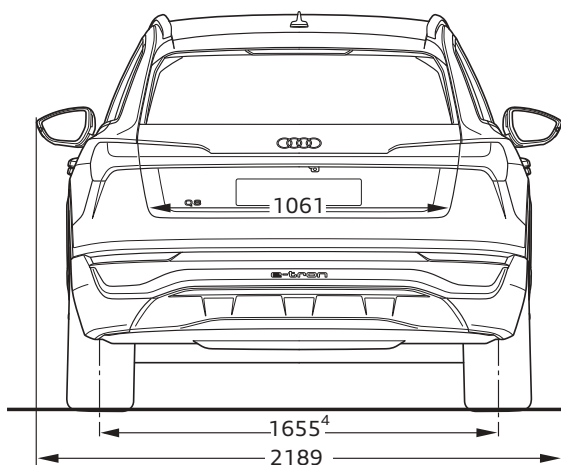
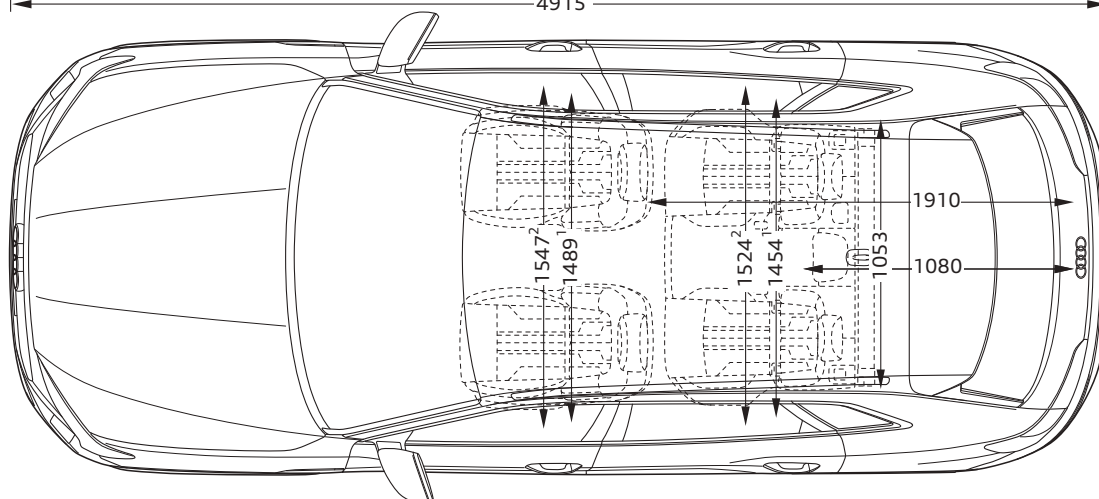
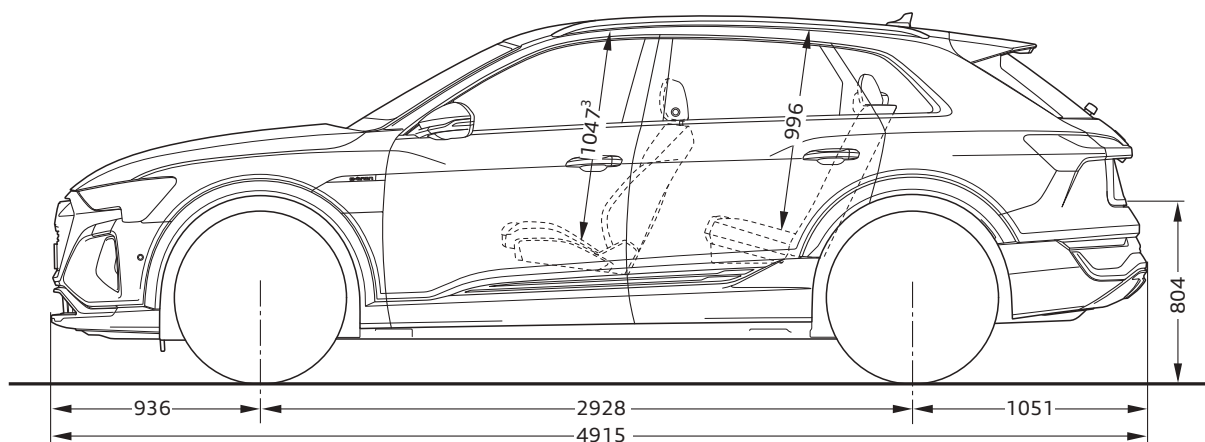
<sup>3</sup> Maximum headroom

<sup>4</sup> Wheel size 55/255 R8.5 19x19 Summer wheel

Dimensions in millimeters

Dimensions of vehicle unloaded

# Audi Q8 e-tron



<sup>1</sup> Shoulder width

<sup>2</sup> Elbow width

<sup>3</sup> Maximum headroom

<sup>4</sup> Wheel size 55/255 R8.5 19Jx19 Summer wheel

Dimensions in millimeters

Dimensions of vehicle unloaded



**Authorized dealers:**

**Audi Center Cairo**

Ring road, Showrooms  
District, Land no. 4, Fifth Settlement,  
New Cairo, Egypt.  
Tel: 01211071072/73

**Audi Cairo Maadi**

52, Corniche El Nil - Maadi - Cairo  
Tel: 02 - 25283351  
01000044003/22040/22038

**Audi Giza Zayed**

Westmark Mall, 26 of July axis,  
Sheikh zayed city.  
Hotline: 15000

**Audi Approved plus / Audi Lean service**

PO Box 11 Obour Industrial City Industrial  
Area Block 13001 NO. 3, 4, 17, 18 Obour city  
Tel: +2 44812578

**Abo Rawash service center**

Abo Rawash industrial zone  
112. Kilo 28 Alex. desert road.  
Tel: 02 - 235391176/8/9

**Alexandria service center**

El-wasla Road, Kilo 21,  
Alexandria, Egypt.  
Tel: 03 - 3021150/55/62

**Hurghada service center**

Awsaty road in front of Juhayna  
Square  
Hotline: 19525

**For Inquiries:**

(call from outside cairo will be  
according to governorate tariffs)  
Hotline: 19525  
[www.audi-eg.com](http://www.audi-eg.com)