

# Things to come, already arrived.

With a progressive exterior design that suits your lifestyle. The new, fully electric Audi Q8 Sportback e-tron and Audi Q8 e-tron.





# Charged for more than one adventure.

With a range of up to 600 km (WLTP) for the Audi Q8 Sportback e-tron and up to 582 km (WLTP) for the Audi Q8 e-tron.







The right car  
for right now —  
with several  
charging options.











Space to evolve.





**Hey future,  
we'll keep an  
eye on you.**

Introducing virtual exterior mirrors.



19565  
READY

Range

565 km

12m 7.3m

Audi logo

AUDI

8:12

RADIO MEDIA TELEPHONE NAVIGATION

PHONE APPS CAR FAVOURITES SETTINGS

20.6 21.6

AUTO AUTO

A/C A/C OFF OFF

Navigation screen

Navigation screen





## Shine on – with digital Matrix LED headlights.

Improve your vision and your visibility at night.

# Exterior Colors

## Q8 Sportback e-tron



Chronos Gray Metallic



Magnet Gray



Myth Black Metallic



Glacier White Metallic



Soneira Red Metallic



Madeira Brown Metallic



Daytona Gray Pearlescent



Plasma Blue Metallic



Ultra Blue Metallic

# Exterior Colors

Q8 e-tron



Chronos Gray Metallic



Magnet Gray



Myth Black Metallic



Glacier White Metallic



Soneira Red Metallic



Madeira Brown Metallic



Daytona Gray Pearlescent



Plasma Blue Metallic



Ultra Blue Metallic

## Interior colors



Black-  
Express Red



Black-Rock  
Gray



Rotor  
Gray



## Q8 e-tron / Q8 Sportback e-tron

### Drivetrain / transmission

	Q8 Sportback e-tron	Q8 e-tron
Number of electric motors	front axle 1 / rear axle 1	front axle 1 / rear axle 1
Peak electrical output	300 kW	300 kW
Max. electrical torque output	664 Nm	664 Nm
Electrical torque output front / rear	309 Nm / 355 Nm	309 Nm / 355 Nm
Drive type	quattro All-wheel drive	quattro All-wheel drive
Transmission type	2-stage ratio planetary gearbox with a single gear	2-stage ratio planetary gearbox with a single gear

### Battery

Battery type	Lithium-Ion	Lithium-Ion
Gross / net battery capacity	114,0 / 106,0 kWh	114,0 / 106,0 kWh

### Performance / range

Top speed	200 km/h	200 km/h
Electrical acceleration boost, 0-100 km/h	5.6 s	5.6 s
Electrical range, combined according to WLTP	600 - 487 km	582 - 481 km
Electric power consumption, combined according to WLTP /100 km	24.1-19.9 kWh	24.4 - 20.6 kWh

### Charging equipment

Second charging access	•	•
On-board charger (AC)	Up to 22 kW	Up to 22 kW
Industrial plug CEE 32 A, long and straight, for the e-tron charging system	400 V	400 V
Mode 3 charging cable for public charging (AC)	22 kW	22 kW
Vehicle inlet CCS type 2	•	•
Vehicle charging cable	•	•
e-tron charging system "compact"	•	•
Mobile Charging at Home package compact	•	•
Wall bracket	•	•
Household plug type E/F for the e-tron charging system	•	•

## Exterior

---

S-line bumpers

---

Black Styling package

---

Black roof rails

---

Brake calipers painted in Red

---

Rear spoiler

---

Black exterior mirror housings

---

Exterior mirrors, power-adjustable, heated and power-folding, auto-dimming, with memory feature

---

Panoramic glass sunroof

---

Windshield with heat-reflecting glass and acoustic glass

---

Acoustic glass for door and side windows

---

Dark-tinted heat-reflecting glass

---

## Additional option

---

Virtual exterior mirrors

---

## Light

---

Singleframe projector lighting

---

Digital Matrix LED headlamps and LED rear combination lamps

---

Door entrance LED projector lights in front and rear

---

## Interior

---

Scuff plates with aluminum inserts in front and rear, illuminated, with "S" logo in front

---

Stationary air conditioning

---

4-zone climate control system

---

Auto-dimming interior rearview mirror, frameless

---

Pedals and foot rest in stainless steel

---

Valcona leather with embossed "S"

---

Sports seats Plus in front

---

Power front seats with memory feature for the driver seat

---

4-way lumbar support for the front seats

---

Headliner in Black fabric

---

Upper part of dashboard and lower interior elements in leatherette

---

Decorative inserts in Carbon Square structure

---

Glossy Black operating buttons with haptic feedback and Aluminum Look interior

---

Sports contour leather-wrapped multi-function steering wheel, with shift paddles, 3-spoke, flat-bottomed

---

Ambient Lighting package plus

---

Storage and Luggage Compartment package

---

Cigarette lighter and ashtray

---

## Infotainment & Navigation

---

MMI Navigation plus with MMI touch response

---

Bang & Olufsen premium sound system with 3D sound

---

Smartphone interface

---

Audi phone box Light

---

Audi virtual cockpit plus

---

12-volt outlet

---

## Assistance

---

Cruise control system with speed limiter

---

Adaptive air suspension - sport

---

Parking aid Plus

---

360-degree cameras

---

Head-up display

---

Electric steering wheel adjustment

---

Luggage compartment lid, electrically opening and closing

---

Tire pressure monitoring system

---

Hill decent control

---

Side assist

---

Lane change warning, exit warning system and rear cross traffic assist

---

Adaptive windshield wipers with integrated washer nozzles

---

Progressive steering

---

Power latching for the doors

---

Comfort key with SAFELOCK

---

## Safety

---

ISOFIX child seat anchors for front passenger seat

---

ISOFIX child seat anchors and top tether for the rear bench seat

---

Anti-theft alarm system

---

Anti-theft wheel bolts and loose wheel warning

---

Collapsible spare tire

---

Audi pre sense rear

---

Airbags in front, front passenger airbag can be deactivated

---

Side airbags in front and rear and curtain airbag system

---

## Warranty

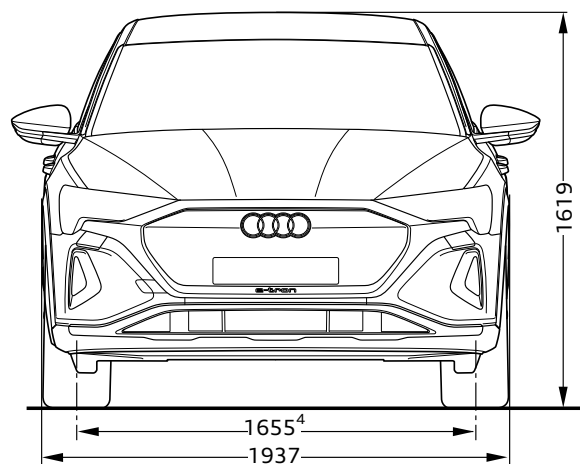
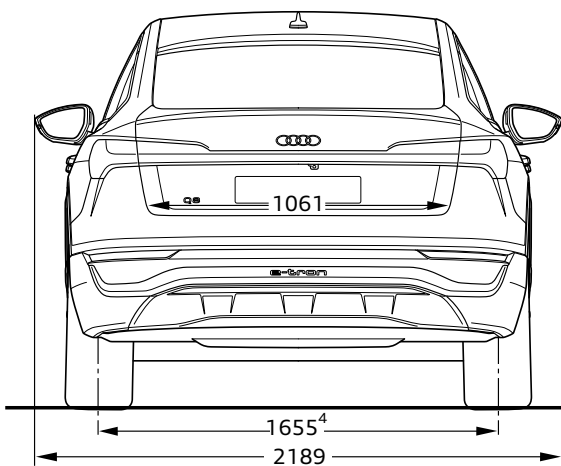
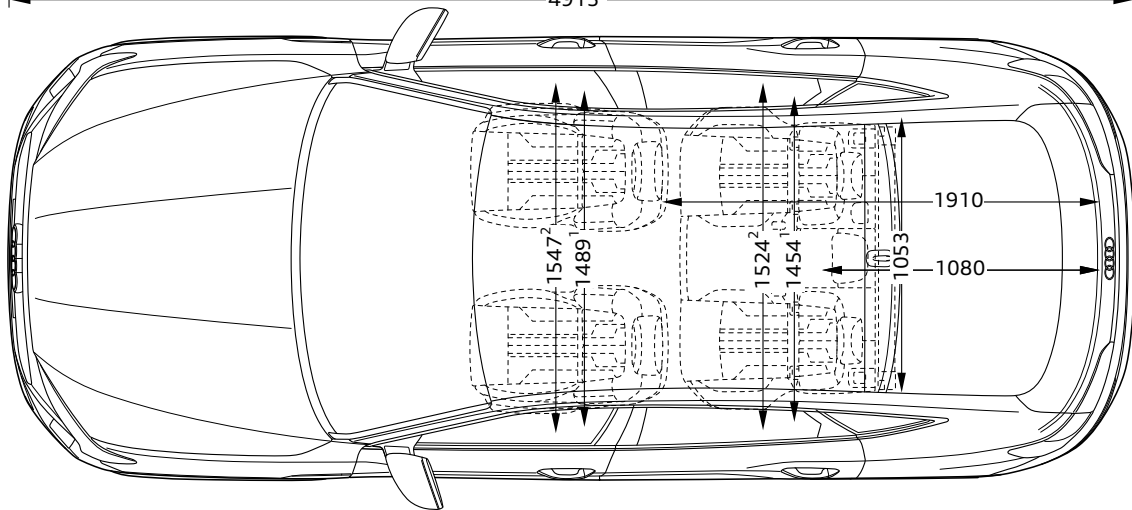
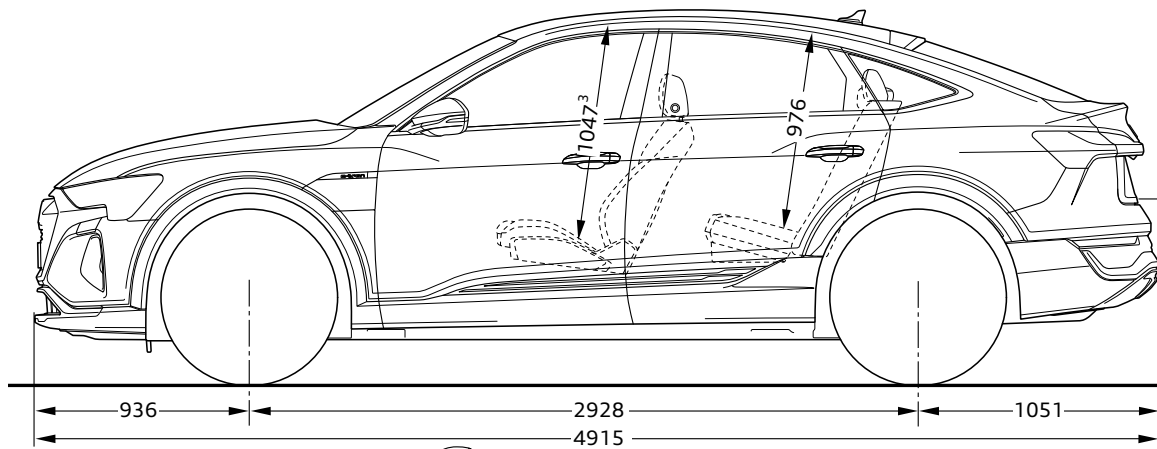
---

**150,000 km or 5 years whichever occurs first**

**160,000 km or 8 Years whichever occurs first on battery**

A word about this brochure. Audi Egypt believes the specifications in this brochure to be correct at the time of launch. However, specifications, standard equipment, options, fabrics, and colors are subject to change without notice. Some equipment may be unavailable when your vehicle is built. Please ask your dealer for advice concerning current availability of standard and optional equipment, and your dealer will verify that your vehicle will include the equipment you ordered. Vehicles in this brochure are shown with optional equipment. See your dealer for complete details on all warranties, service and maintenance plans and aftersales programmes on offer in your region

# Audi Q8 Sportback e-tron



<sup>1</sup> Shoulder width

<sup>2</sup> Elbow width

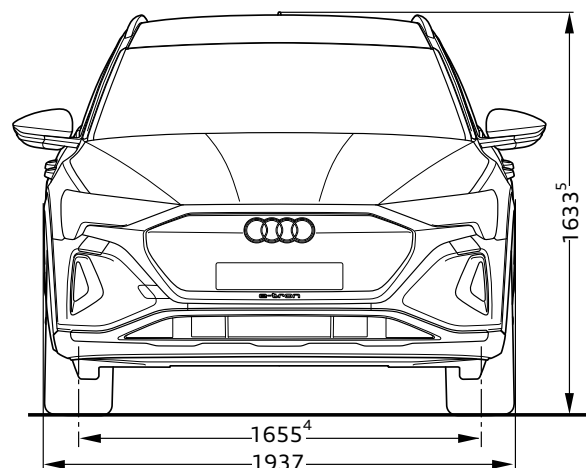
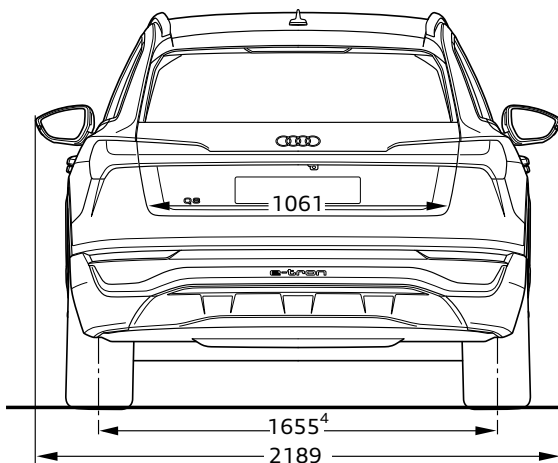
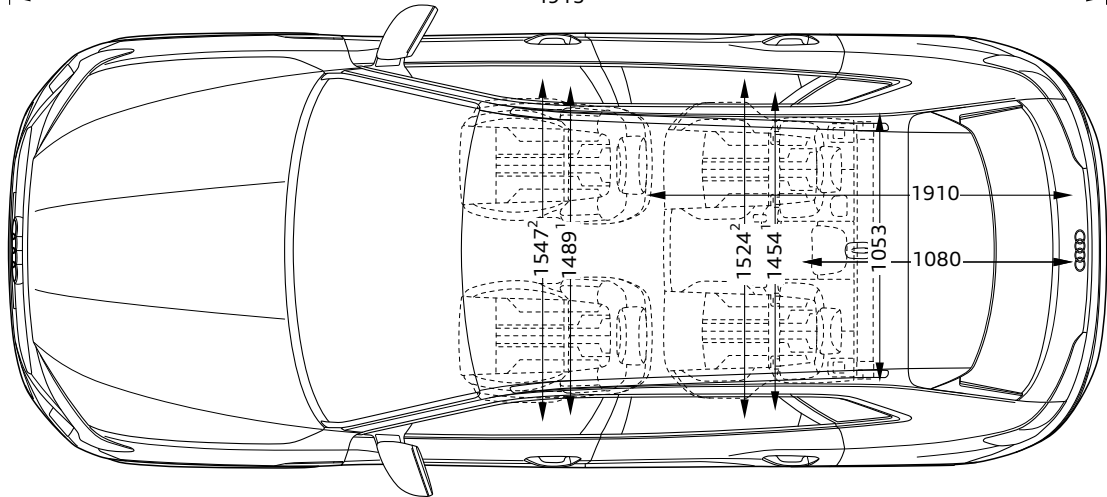
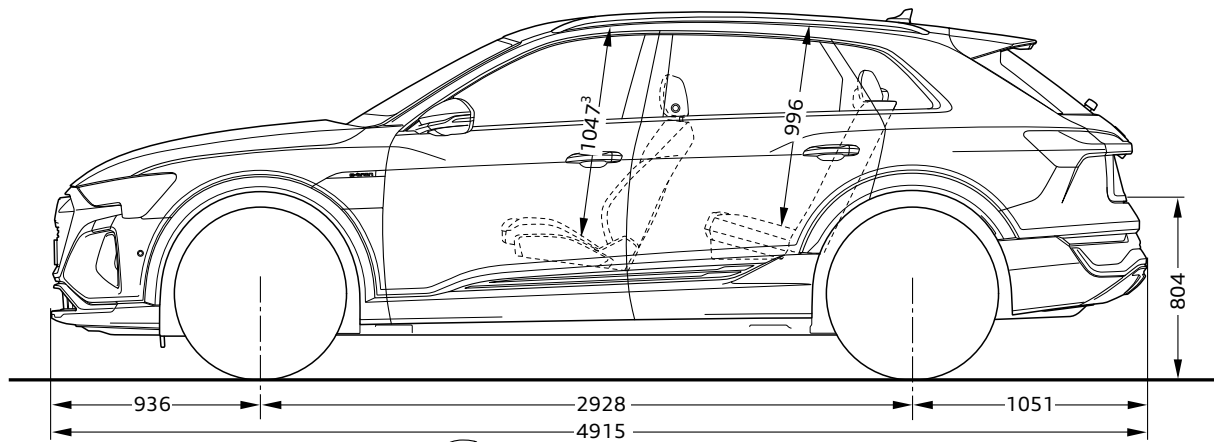
<sup>3</sup> Maximum headroom

<sup>4</sup> Wheel size 55/255 R8.5 19x19 Summer wheel

Dimensions in millimeters

Dimensions of vehicle unloaded

# Audi Q8 e-tron



- <sup>1</sup> Shoulder width
  - <sup>2</sup> Elbow width
  - <sup>3</sup> Maximum headroom
  - <sup>4</sup> Wheel size 55/255 R8.5 19Jx19 Summer wheel
- Dimensions in millimeters  
Dimensions of vehicle unloaded

**Authorized dealers:**

**Audi Center Cairo**

Ring Road, Showrooms District,  
Land no. 4,  
Fifth Settlement, New Cairo  
Hotline: 19525

**Audi Cairo Maadi**

52 Corniche El Nil,  
Maadi, Cairo  
Tel: 02 - 25283351  
01000044003/22040/22038

**Audi City Cairo**

Boulevard, Parcel 37,  
B4-B5 Mivida Compound, New Cairo  
+2 01200511111 / +2 01111119131  
+2 01111800005 / +2 01070700069

**Audi Giza Zayed**

Westmark Mall, 26<sup>th</sup> of July Axis, Sheikh  
Zayed City, Giza  
Hotline: 15000

**Audi Approved plus / Audi Lean Service**

P.O. Box 11, Industrial Area, Block 13001  
no. 3, 4, 17, 18, Obour City  
Hotline: 19525

**Abo Rawash Service Center**

Abo Rawash Industrial Zone  
(behind Smart Village), Km 28  
Cairo- Alexandria Desert Road, Giza  
Hotline: 19525

**Alexandria Service Center**

Al Wasla Road, Km 21,  
Alexandria  
Hotline: 19525

**Audi Service Giza Zayed**

Chillout El Khamayel Petrol Station  
26<sup>th</sup> of July Axis, Sheikh Zayed City, Giza  
Hotline: 19525

**Hurghada Service Center**

Juhayna Square, Awsaty Road,  
Hurghada  
Hotline: 19525

**For Inquiries:**

(Call from outside Cairo will be  
according to governorate tariffs)  
Hotline: 19525  
[www.audi-eg.com](http://www.audi-eg.com)